

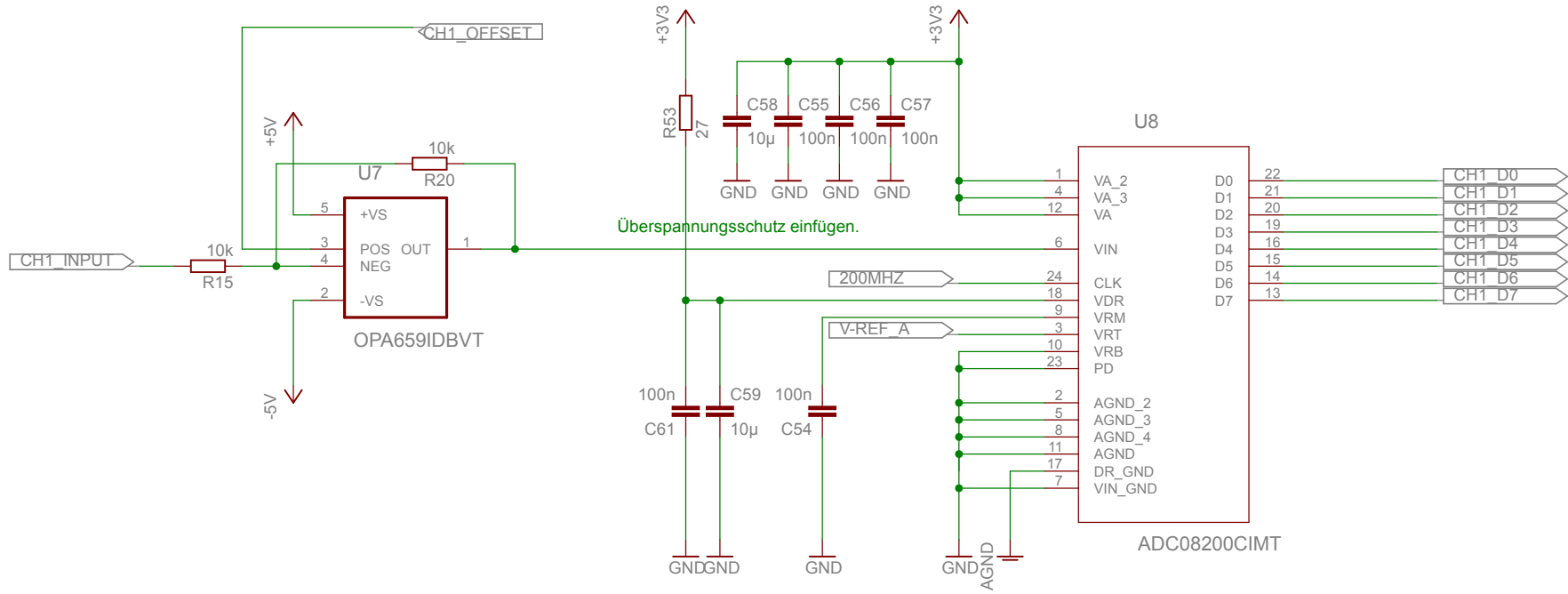
TITLE: DSO\_rev1\_3\_Eingänge

Document Number:

REV:

Date: 20.02.2014 21:20:17

Sheet: 1/11



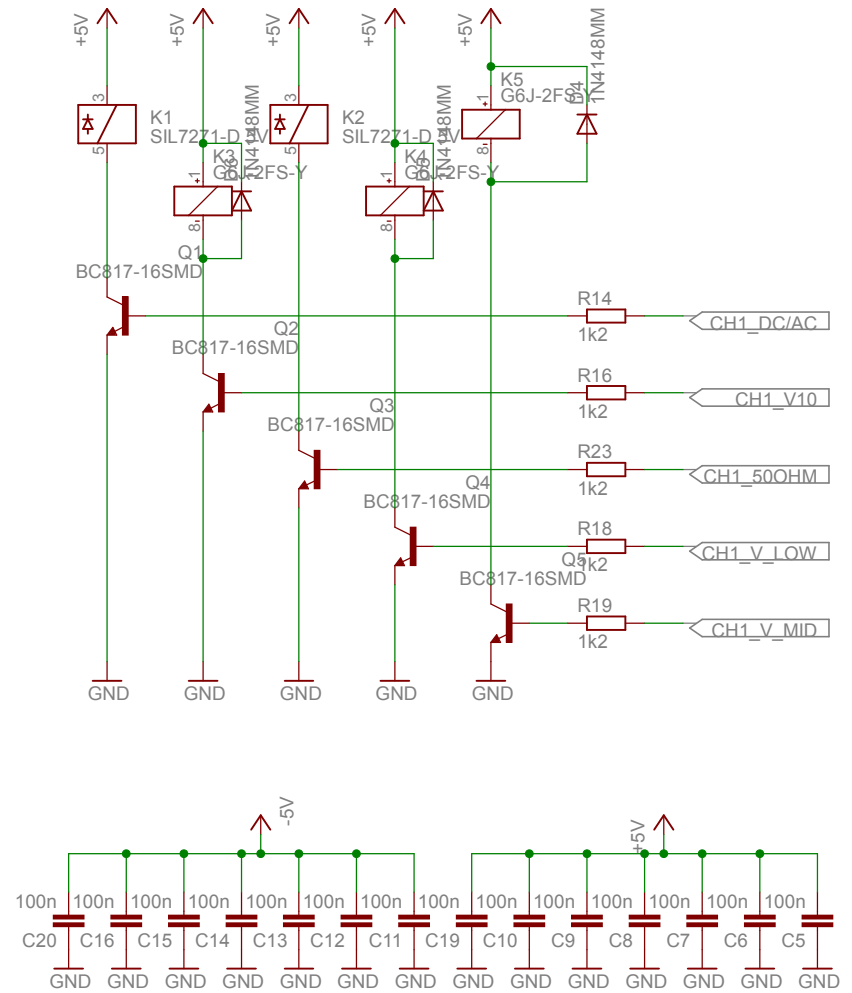
TITLE: DSO\_rev1\_3\_Eingänge

Document Number:

REV:

Date: 20.02.2014 21:20:17

Sheet: 2/11



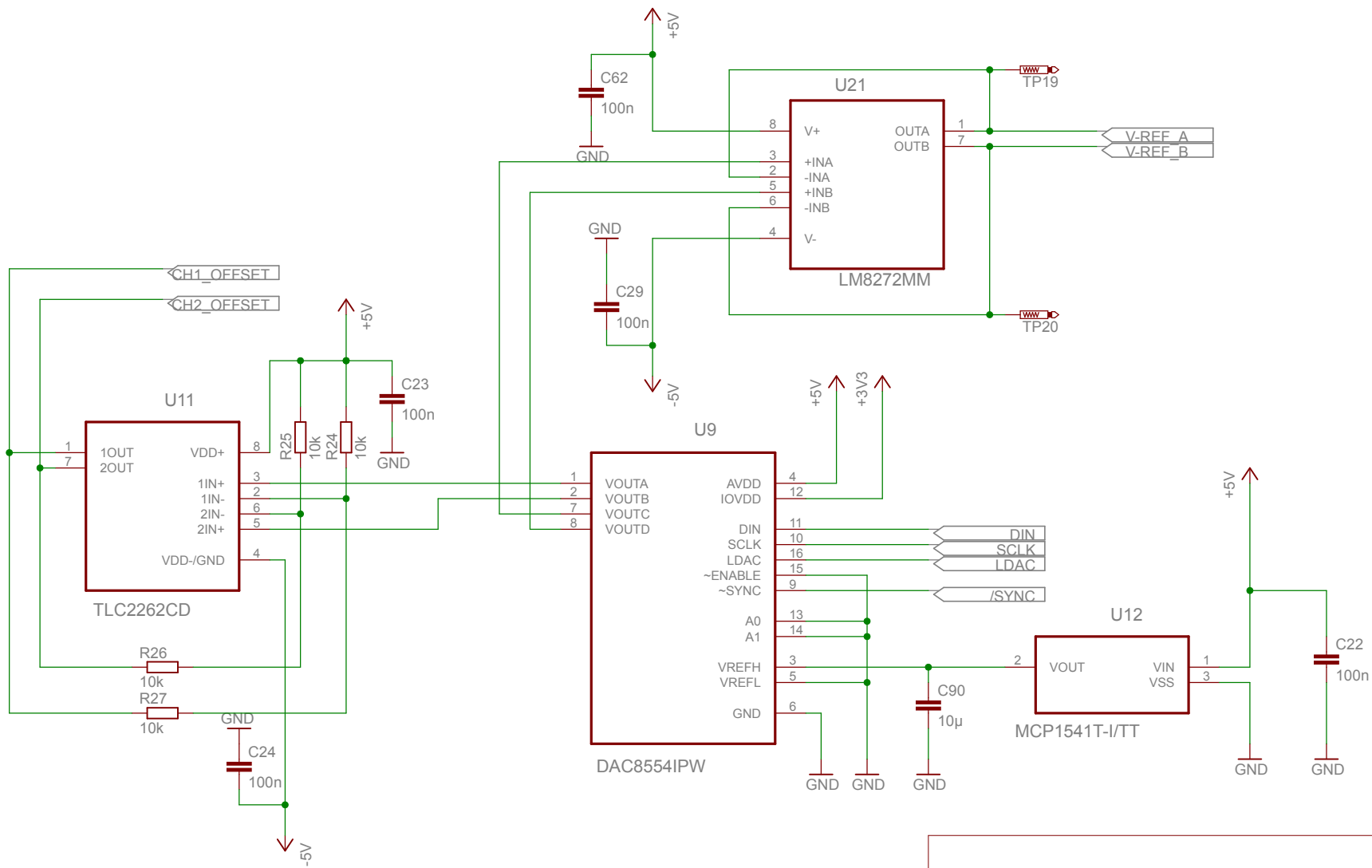
TITLE: DSO\_rev1\_3\_Eingänge

Document Number:

REV:

Date: 20.02.2014 21:20:17

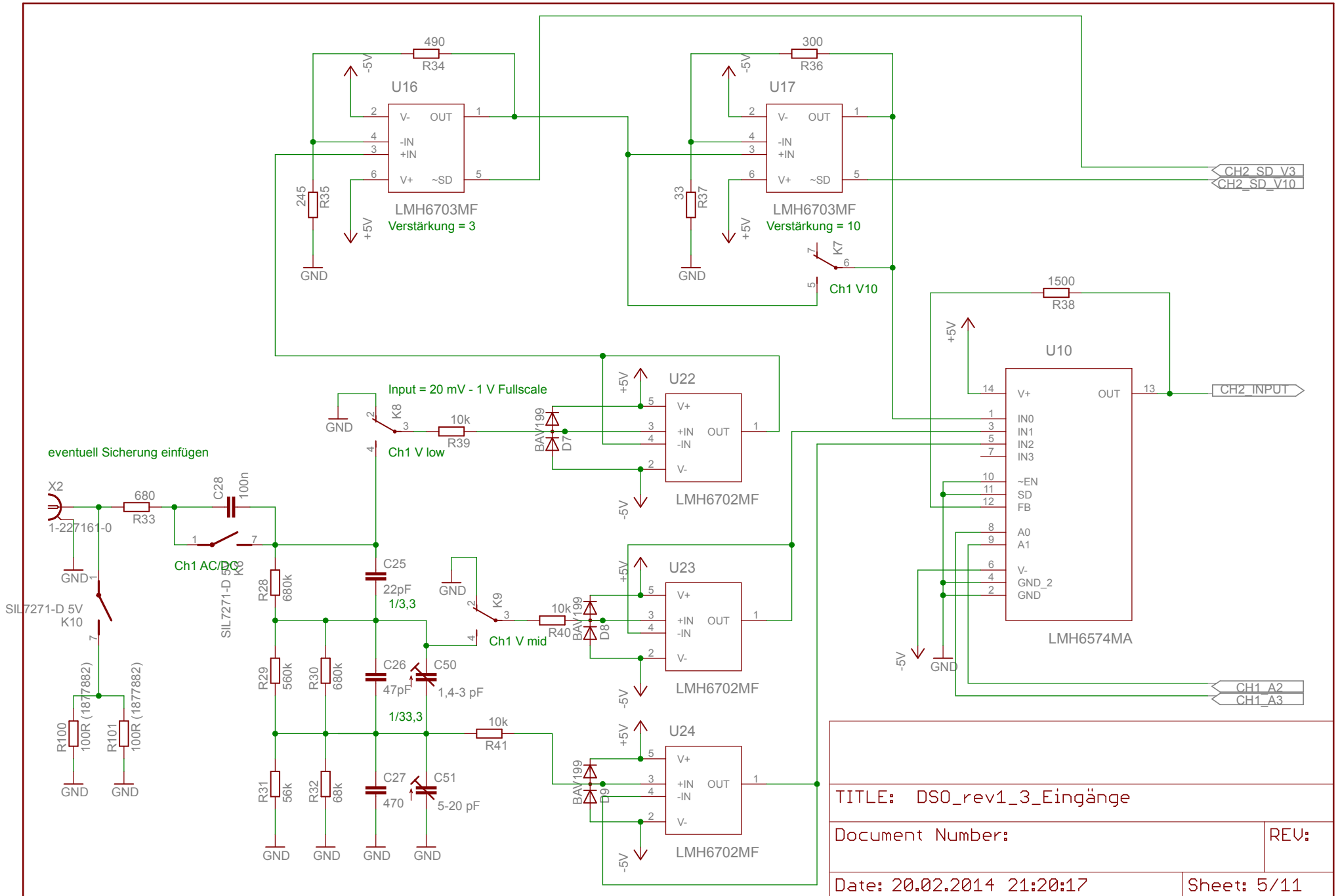
Sheet: 3/11



TITLE: DSO\_rev1\_3\_Eingänge

Document Number: REV:

Date: 20.02.2014 21:20:17 Sheet: 4/11



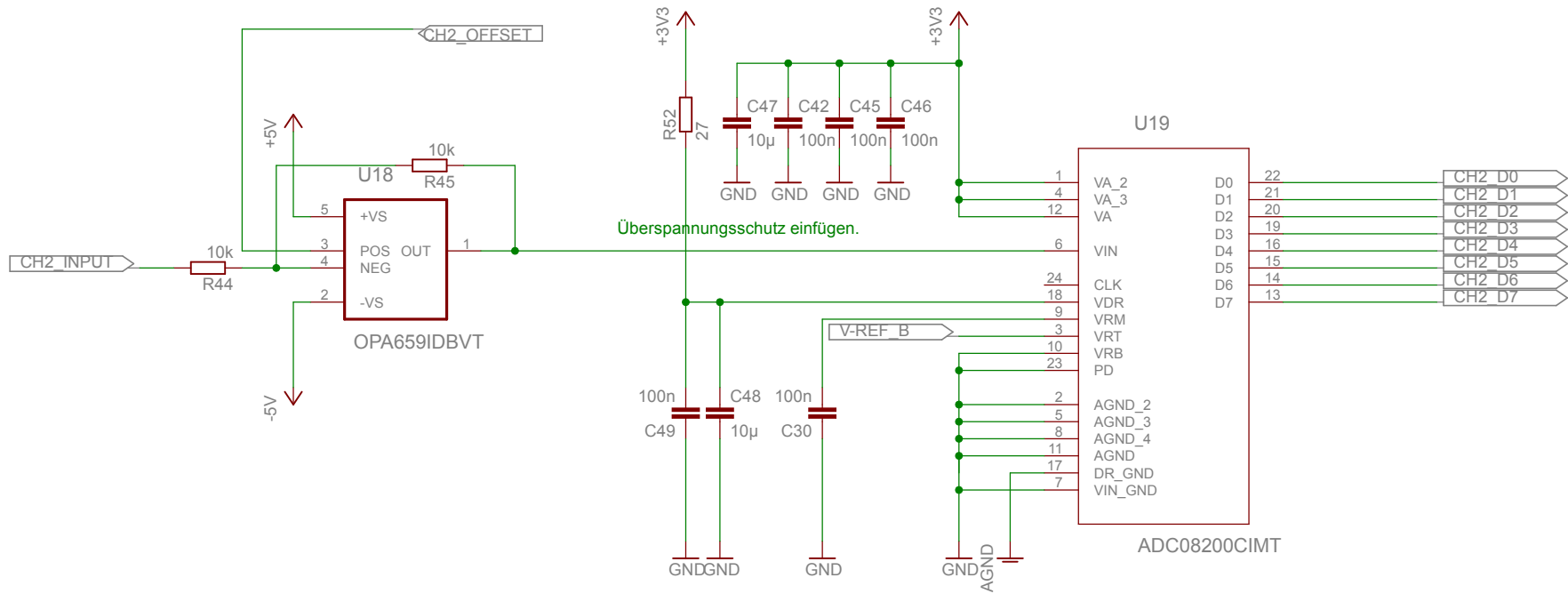
TITLE: DSO\_rev1\_3\_Eingänge

Document Number:

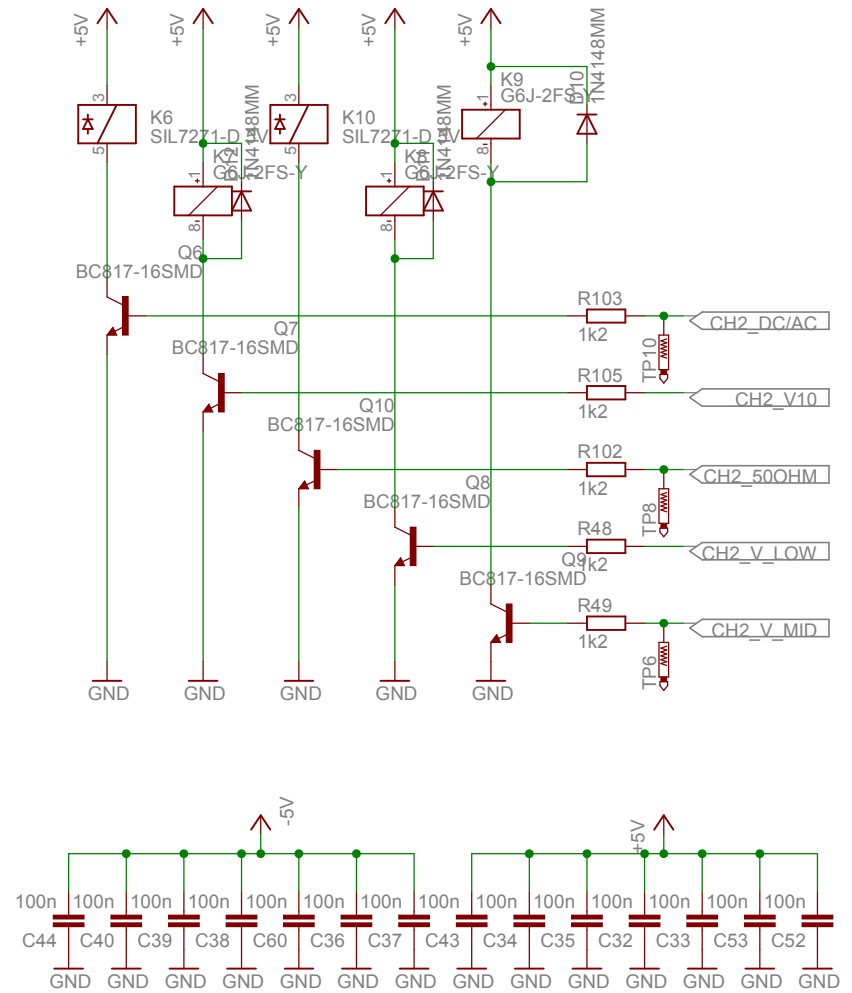
REV:

Date: 20.02.2014 21:20:17

Sheet: 5/11



TITLE: DSO_rev1_3_Eingänge	
Document Number:	REV:
Date: 20.02.2014 21:20:17	Sheet: 6/11



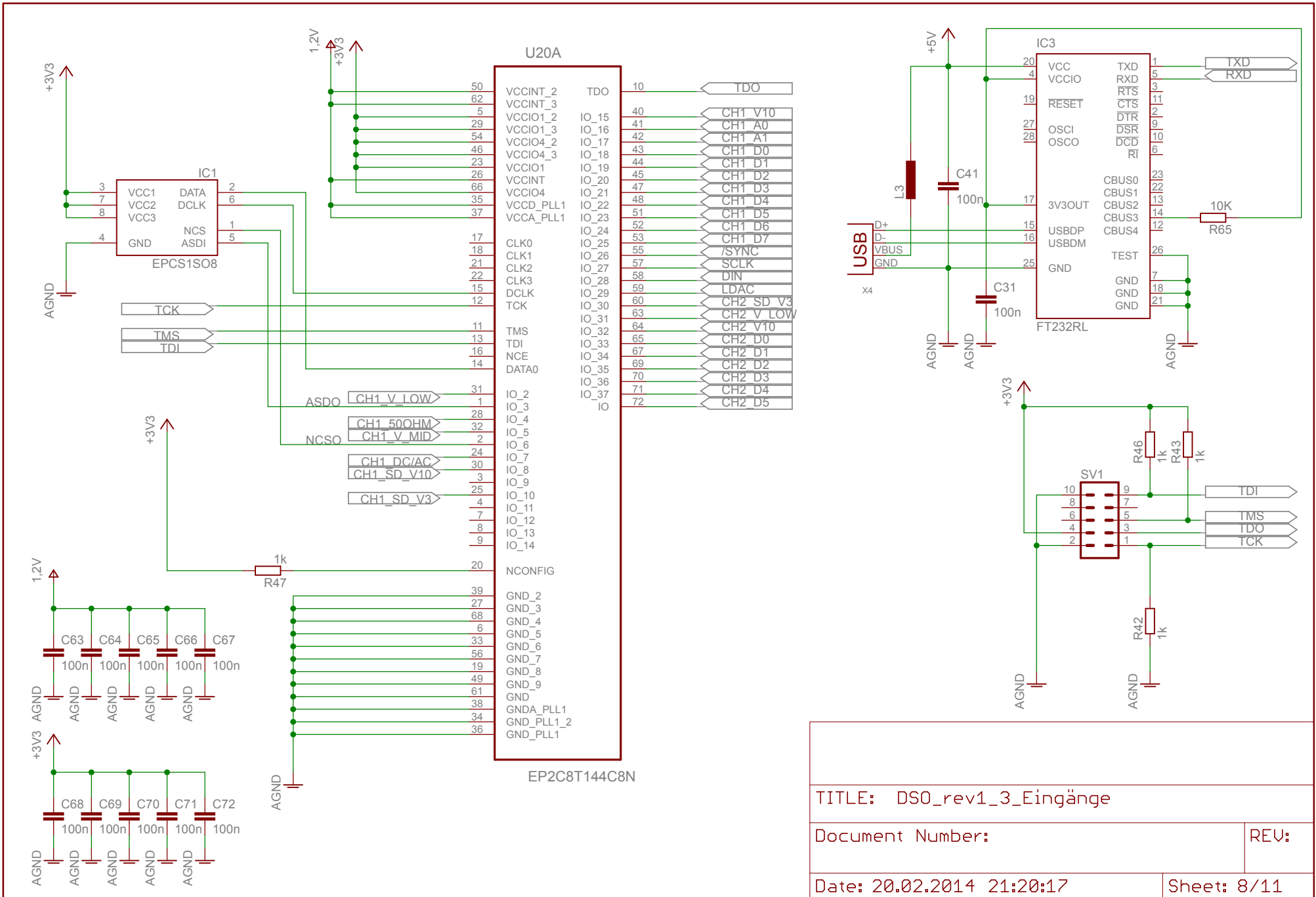
TITLE: DSO\_rev1\_3\_Eingänge

Document Number:

REV:

Date: 20.02.2014 21:20:17

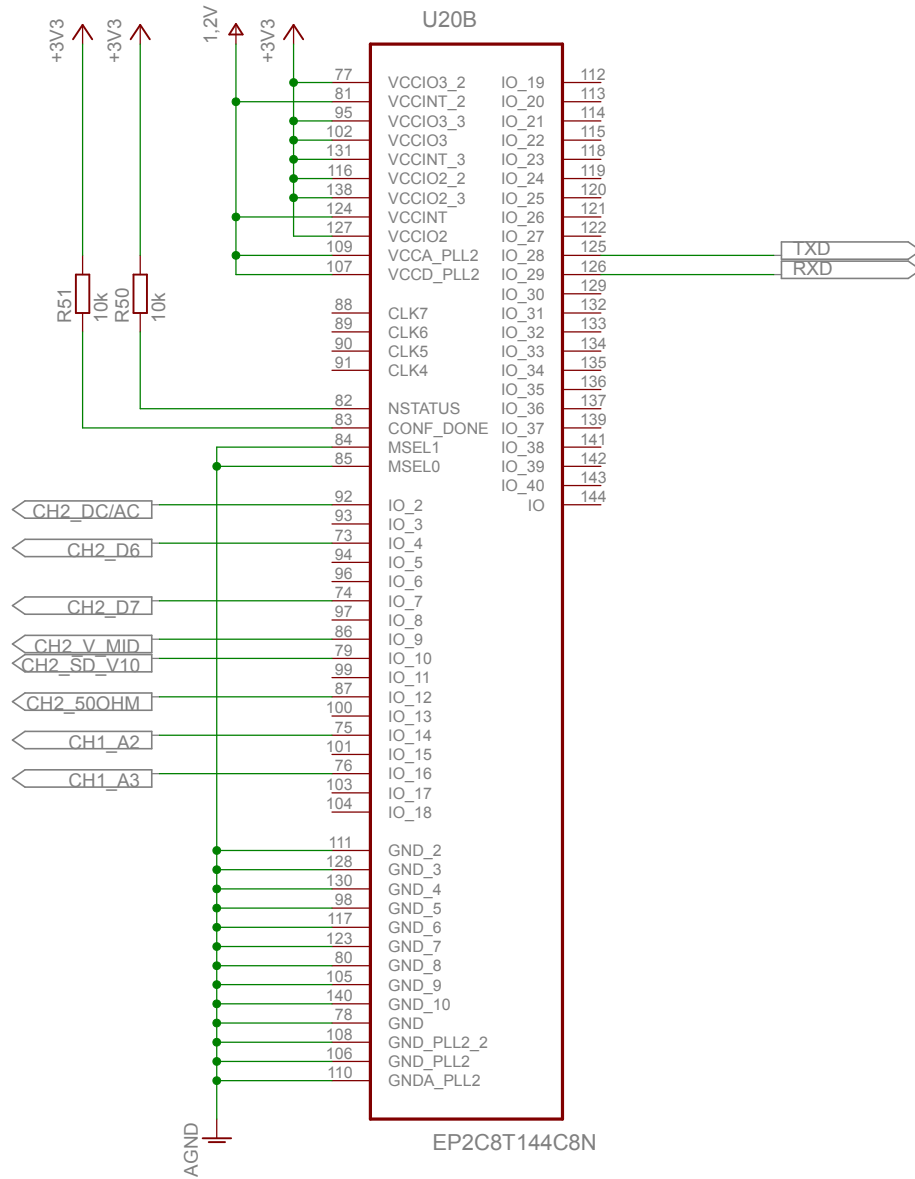
Sheet: 7/11



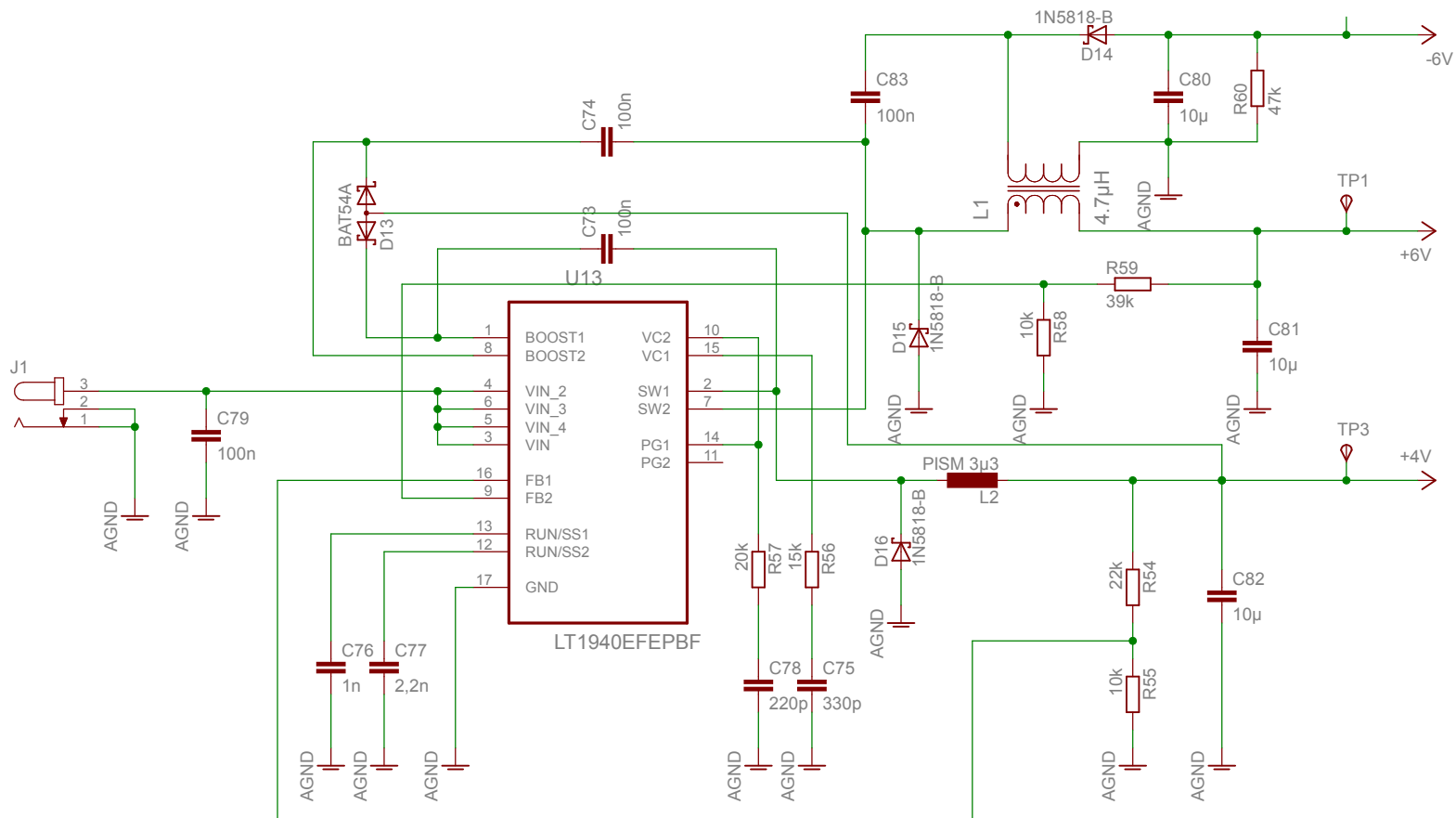
TITLE: DSO\_rev1\_3\_Eingänge

Document Number: \_\_\_\_\_ REV: \_\_\_\_\_

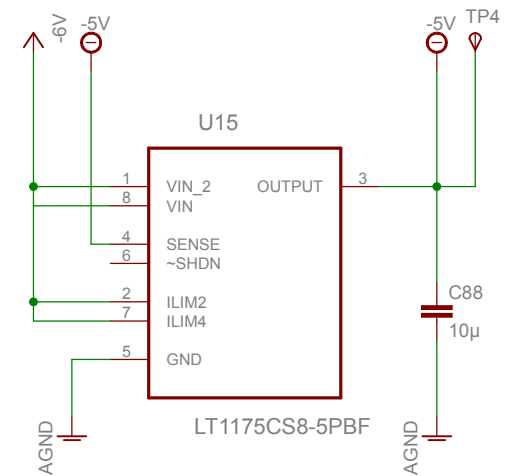
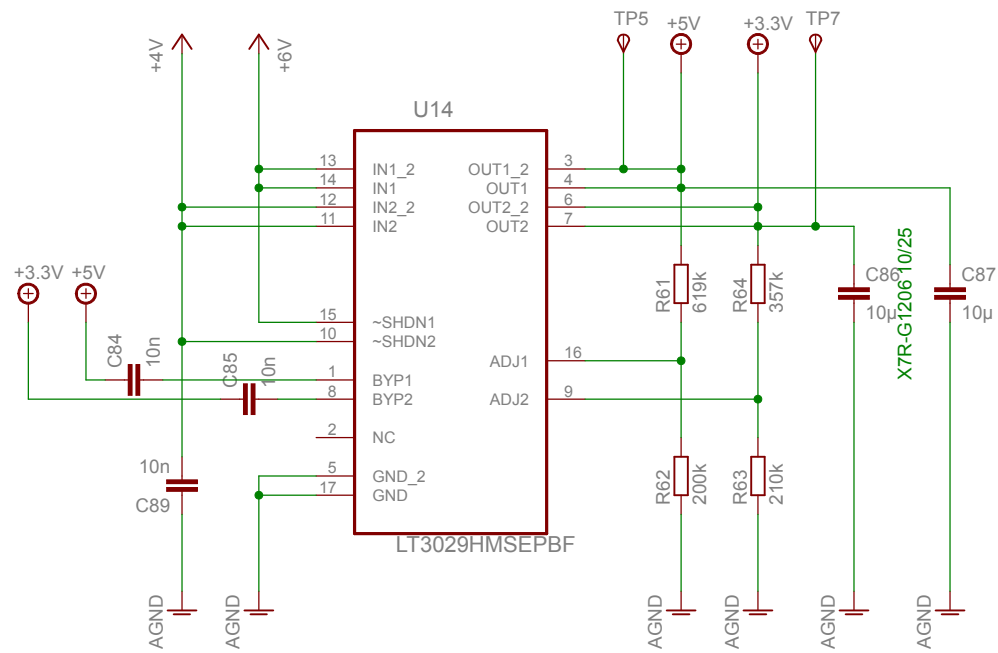




TITLE: DSO_rev1_3_Eingänge	
Document Number:	REV:
Date: 20.02.2014 21:20:17	Sheet: 9/11



Entworfen von Marcus Pool <a href="http://www.Marcus-Pool.de">www.Marcus-Pool.de</a>	
TITLE: DSO_rev1_3_Eingänge	
Document Number:	REV: 1.0
Date: 20.02.2014 21:20:17	Sheet: 10/11



TITLE: DSO\_rev1\_3\_Eingänge

Document Number:

REV:

Date: 20.02.2014 21:20:17

Sheet: 11/11