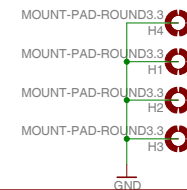
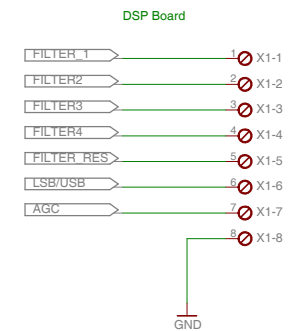
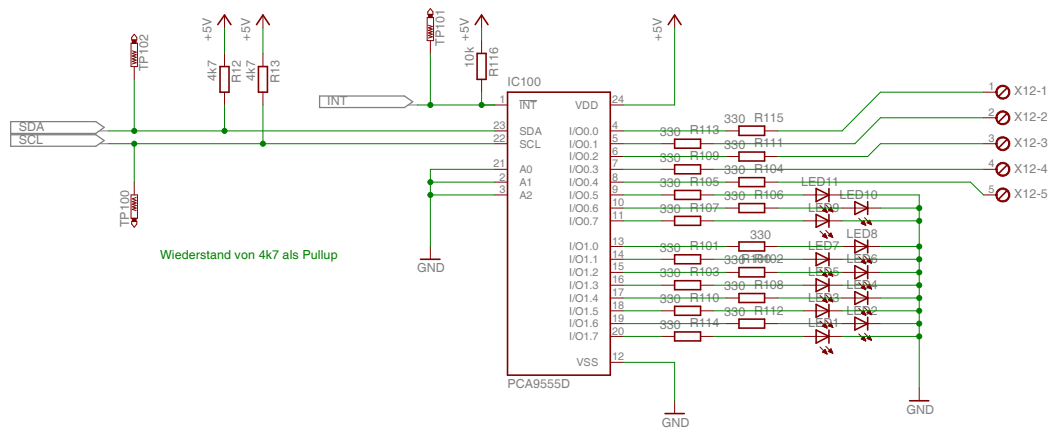
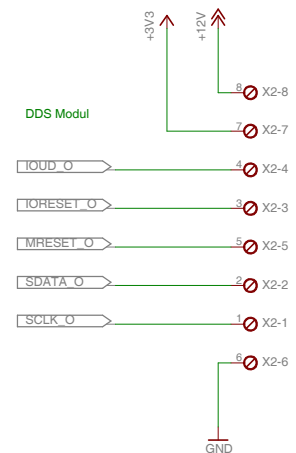
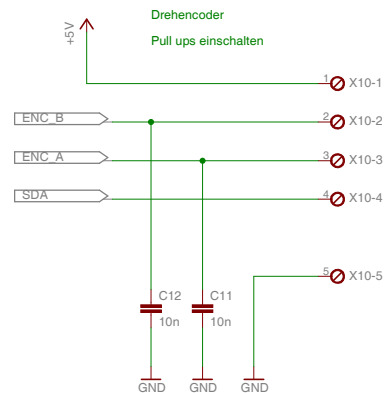
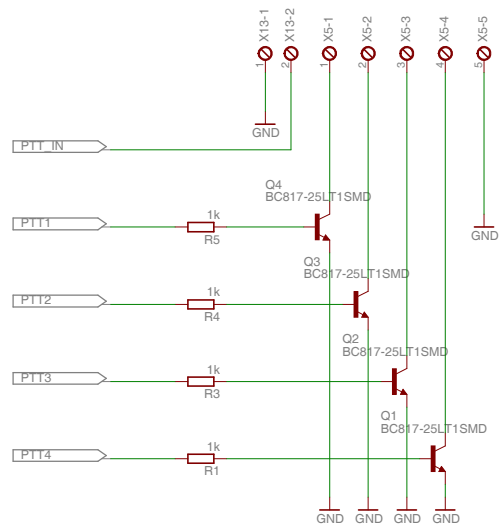


TITLE: Controller_LCD_rev3	
Document Number:	REV:
Date: 08.10.2011 22:11:27	Sheet: 1/2



TITLE: Controller_LCD_rev3

Document Number:

REV:

Date: 08.10.2011 22:11:27

Sheet: 2/2